



## Pressure reducer 1° stage

R13B

### PRESENTATION:

Stainless steel pressure reducer suitable for the use with different types of fluids

In the standard version the product is designed to operate with pressures up to 220 bar.

The control of the outlet pressure is realized by means of a:

- › diaphragm up to 15 bar;
- › piston for pressure above 15 bar.

USE: Compressed air, gas and liquids

CONNECTIONS: According to standard UNI 11144 | BSP 1/4  
(further types of connections, available on request.  
See ordering code | section "Inlet connections")

### PRESSURE REDUCER FEATURES:

Outlet connection	G 1/4 - F
Inlet pressure	up to 220 bar
Outlet pressure	0,8 ÷ 200 bar
Kv nominal	0,07 m <sup>3</sup> /h (UNI 60534-2)
Operating temperature	- 20°C + 60°C
Shutter leakage class	class A (EN 12266-1)
Weight	~2,7 Kg

The product is compliant with PED Directive 2014/68/UE

### MATERIALS:

Body and bonnet	AISI 316L
Internal parts	AISI 316L
Shutter spring	AISI 302
Adjusting spring (not in contact with the fluid)	AISI 302
O-Ring (different compounds available on request)	FPM
Shutter gasket	PA66 (FPM for inlet pressure 15 bar)
Piston	AISI 316L
Diaphragm	AISI 316L NBR+PTFE for use with liquids   air (with relieving function)

### MAINTENANCE KIT:

KR13B repair kit available on request.

Kit contains: shutter assembly, O-ring and diaphragm assembly.



### Note

Chemical compatibility fluids/materials, has to be verified at RFQ stage with ODE sales dept.

"ODE" reserves the right to carry out technical and aesthetic modifications without prior notice.

R 1 3 B # N N N N N N N N N N N N N N

Model

**Inlet connections**

- 0 0** Cylinder connections (See section "\*)")
- N 0** G 1/4 - F
- V 0** 1/4 NPT - F
- 0 4** 1/4 NPT - M
- 4 E** SO ANSI 600 RF 1/2"
- 1 0** EN1092-1/B11/DN15/PN160

**Inlet pressure**

- J 0** 220 bar
- U 0** 500 bar
- S 0** 400 bar
- M 0** 300 bar
- R 0** 250 bar
- L 0** 80 bar
- B 0** 15 bar

**Outlet pressure**

- D 0** 0,8 ÷ 8 bar
- E 0** 1,5 ÷ 15 bar
- F 0** 3 ÷ 30 bar
- G 0** 5 ÷ 50 bar
- X 0** 10 ÷ 100 bar
- V 0** 20 ÷ 200 bar
- A 0** 0,2 ÷ 1,5 bar
- B 0** 0,3 ÷ 3 bar
- A G** 20 ÷ 250 bar
- A C** 20 ÷ 350 bar

**Seal**

- 9 9** FPM
- 2 9** FPM for liquids
- 9 4** FPM CAT.III
- 9 6** EPDM CAT.III
- 9 7** NBR
- 9 8** EPDM

**\* Cylinder connections (2)**

- U 1** 1H-UNI11144 CAT.III
- U 2** 2-UNI11144
- U 3** 3-UNI11144
- U 5** 5-UNI11144
- U 6** 6-UNI11144
- U 8** 8-UNI11144

**Accessories**

- 0 0** -
- 0 4** Fixed calibration
- 0 5** Precalibrated
- 0 6** Without pressure gauge
- 0 8** Degreased use O<sub>2</sub>
- 1 1** Conveyed exhaust
- 1 6** O-Ring FDA compliance

**Certifications**

- R 0** CE
- U 0** CE+Atex 2014/34/UE
- Y 0** CE+EAC TR CU 032/2013 <sup>(1)</sup>
- V 0** CE+EAC TR CU 012/2011 (only for use with Gas)

<sup>(1)</sup> version certifiable on request

<sup>(2)</sup> The seal material has to be defined at RFQ stage according to the type of medium.

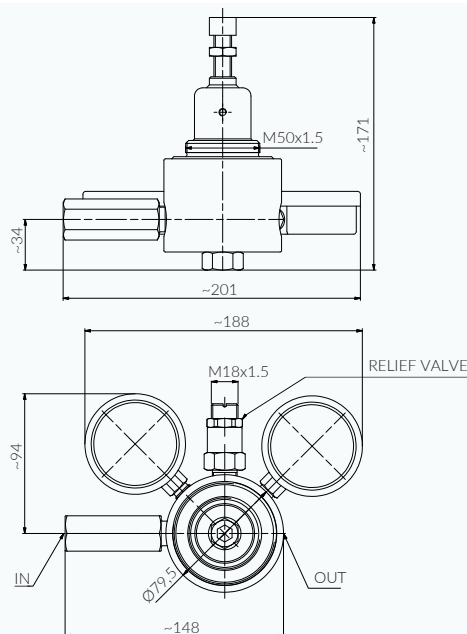
Note: available on request cylinder connections according to standard DIN | NFE

**standard versions**

versions available on request

**DIMENSIONS:**

version with connections 1/4"



For other versions, please contact ODE Sales Office