



Pressure reducer 1° stage

R11A

PRESENTATION:

Brass pressure reducer suitable for the use with different types of fluids.

In the standard version the product is designed to operate with pressures up to 220 bar.

The control of the outlet pressure is realized by means of a:

- › diaphragm up to 15 bar;
- › piston for pressure above 15 bar.

USE: Compressed air, gas and liquids

CONNECTIONS: According to standard UNI 11144
(further types of connections, available on request.
See ordering code | section "Inlet connections")

PRESSURE REDUCER FEATURES:

Outlet connection	G 1/4 - F
Inlet pressure	up to 220 bar
Outlet pressure	0,8 ÷ 100 bar
Kv nominal	0,07 m ³ /h (UNI 60534-2)
Operating temperature	- 20°C + 60°C
Shutter leakage class	class A (EN 12266-1)
Weight	~1,3 Kg (with diaphragm) ~1,4 Kg (with piston)

The product is compliant with PED Directive 2014/68/UE

MATERIALS:

Body and bonnet	Brass - chrome plated
Internal parts	Brass
Shutter spring	AISI 302
Adjusting spring (not in contact with the fluid)	C85
O-Ring (different compounds available on request)	EPDM
Shutter gasket	PA66
Piston	Brass
Diaphragm	NBR+PTFE

MAINTENANCE KIT:

KR11A repair kit available on request.

Kit contains: shutter assembly, O-ring and diaphragm assembly.



Note

Chemical compatibility fluids/materials, has to be verified at RFQ stage with ODE sales dept.

"ODE" reserves the right to carry out technical and aesthetic modifications without prior notice.

R 1 1 A # N N N N N N N N N N N N N N N

Model

Inlet connections

- U 1** 1H-UNI 11144 CAT.III ⁽²⁾
- U 2** 2-UNI 11144 ⁽²⁾
- U 5** 5-UNI 11144 ⁽²⁾
- U 6** 6-UNI 11144 ⁽²⁾
- U 8** 8-UNI 11144 ⁽²⁾
- N 0** G 1/4 - F
- V 0** 1/4 NPT - F

⁽²⁾ The seal material has to be defined at RFQ stage according to the type of medium.

Inlet pressure

- J 0** 220 bar
- P 0** 370 bar
- L 0** 80 bar

Outlet pressure

- D 0** 0,8 ÷ 8 bar
- E 0** 1,5 ÷ 15 bar
- F 0** 3 ÷ 30 bar
- G 0** 5 ÷ 50 bar
- B 0** 0,3 ÷ 3 bar
- X 0** 10 ÷ 100 bar

Relieving function

- 0** No Relieving
- 1** Entlastung

Seal

- 9 8** EPDM
- 1 5** FPM use O2 CAT.III
- 1 8** EPDM for liquids
- 1 9** FPM for liquids
- 9 4** FPM SX
- 9 9** FPM

Accessories

- 0 0** -
- 0 4** Fixed calibration
- 0 5** Precalibrated
- 0 6** Without pressure gauge
- 0 8** Degreased use O₂
- 1 1** Conveyed exhaust
- 1 6** O-Ring FDA compliance

Certifications

- R 0** CE
- U 0** CE+Atex 2014/34/UE ⁽¹⁾
- Y 0** CE+EAC TR CU 032/2013 ⁽¹⁾
- V 0** CE+EAC TR CU 012/2011 ⁽¹⁾
(only for use with Gas)

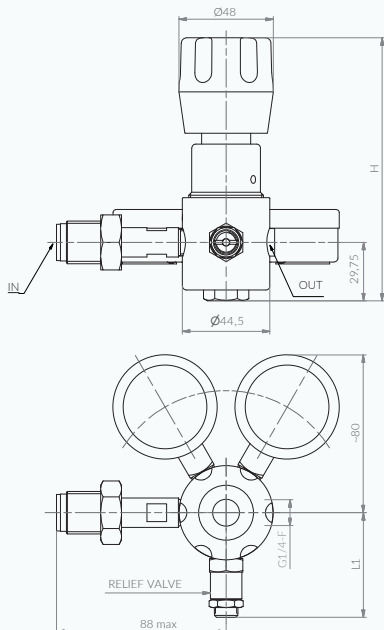
⁽¹⁾ version certifiable on request

standard versions

versions available on request

DIMENSIONS:

version with connections according to standard UNI 11144



Model	H mm	L1 mm
Diaphragm	~ 134	~ 53
Piston	~ 141	~ 44

For other versions, please contact ODE Sales Office