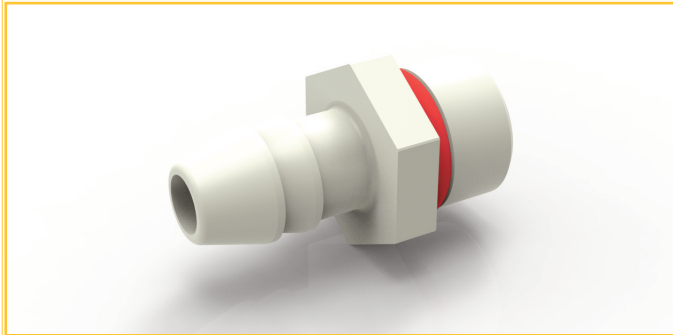




Vibration Pump Accessories

FITTING



CODE:

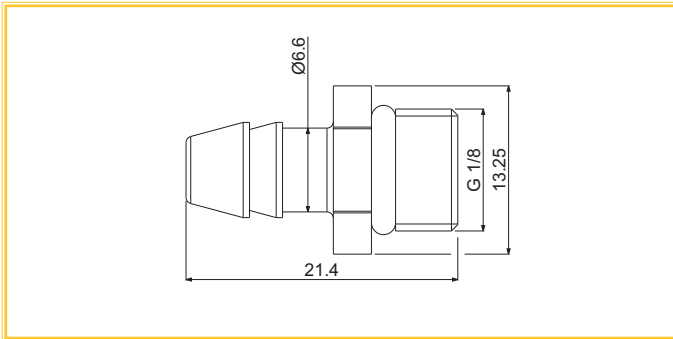
R992428

FEATURES:

- › Fitting for outlet tube to move from G 1/8 to hose connection

Materials:

- › Fitting PA66
- › O-Ring VMQ



PRIMING VALVE



CODE:

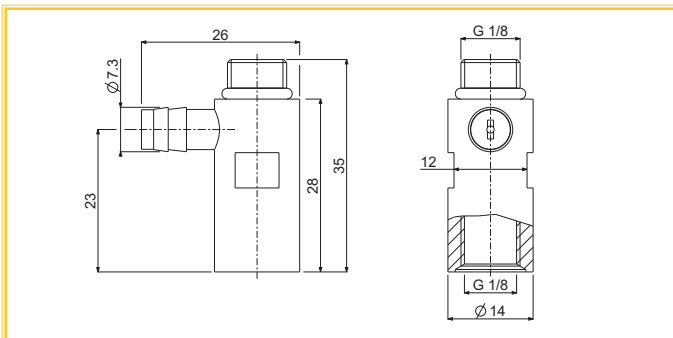
P992401

FEATURES:

- › Connection G 1/8
- › Closing pressure 3-5 bar
- › Fluid Water
- › Max. ambient temperature 60°C
- › Fluid temperature -10°C + 60°C

Materials:

- › Body PA66 glass filled
- › Seals Silicon/EPDM
- › Metal components AISI series 300



"ODE" reserves the right to carry out technical and aesthetical modifications without prior notice.

PUMP'S BRACKET

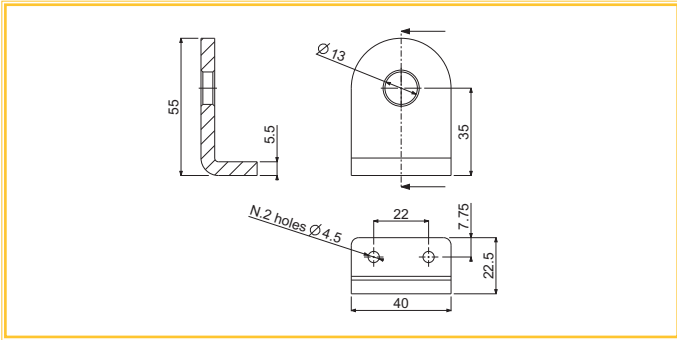


CODE:

P992454

FEATURES:

Bracket for PX and P series pumps made of black NBR



THERMAL PROTECTOR



CODE:

P992215

FEATURES:

- › Switching Capacity: 250V/50 Hz | 5 A
- › Minimum current: 50 mA
- › 10.000 cycles 24 VDC | 10A
- › Switching Temperature: 115°C (± 5K)
- › Switching Differential: 10 - 50 k (± 15K)
- › Max. ambient temperature: 160 °C
- › Silicon wires 0.5 mm² length 70 mm, tinned and self-extinguishing
- › Approvals: UL, VDE

