



Filter pressure reducer II° stage

FR3C

PRESENTATION:

Stainless steel filter pressure reducer suitable for the use with different types of fluids.

In the standard version the product is designed to operate with pressures up to 50 bar.

The control of the outlet pressure is realized by means of a diaphragm.

The connections are made by flanges screwed to the body.

Available with automatic condensate drain, semiautomatic, manual or with plug.

USE: Compressed air, gas e liquids

CONNECTIONS: 3/8" ÷ 1/2"

FILTER PRESSURE REDUCER FEATURES:

Inlet pressure	up to 50 bar
Outlet pressure	0,2 ÷ 15 bar
Filtering capacity	5 - 50 µm
Cup capacity	200 cc
Kv nominal	2,99 m ³ /h (UNI 60534-2)
Operating temperature	- 20°C + 80°C
Shutter leakage class	class A (EN 12266-1)
Weight	~3 Kg

The product is compliant with PED Directive 2014/68/UE

MATERIALS:

Body, cup and bonnet	AISI 316L
Internal parts	AISI 316L
Filter cartridges	AISI 316L
Shutter spring <small>(not in contact with the fluid)</small>	C85 treated
O-Ring and shutter gasket	FPM
Diaphragm	NBR+PTFE

MAINTENANCE KIT:

KFR3C repair kit available on request.

Kit contains: shutter assembly, O-ring, filter cartridge and diaphragm assembly.



Note

Chemical compatibility fluids/materials, has to be verified at RFQ stage with ODE sales dept.

"ODE" reserves the right to carry out technical and aesthetic modifications without prior notice.

F R 3 C # N N N N N N N N N N N N N N N N

Model

Connections

L	0	G 3/8 - F
P	0	G 1/2 - F
W	0	3/8 NPT - F
H	0	1/2 NPT - F

Inlet pressure

E	0	50 bar
D	0	30 bar
H	1	16 bar

Outlet pressure

A	0	0,2 ÷ 1,5 bar
B	0	0,3 ÷ 3 bar
D	0	0,8 ÷ 8 bar
E	0	1,5 ÷ 15 bar

Accessories

0	0	-
0	4	Fixed calibration
0	5	Precalibrated
0	6	With pressure gauge
0	8	Degreased use O ₂
1	6	O-Ring FDA compliance

Certifications

R	0	CE
U	0	CE+Atex 2014/34/UE
Y	0	CE+EAC TR CU 032/2013 ⁽¹⁾
V	0	CE+EAC TR CU 012/2011 ⁽¹⁾

⁽¹⁾ version certifiable on request

Cup + drain

1	9	Internal Automatic drain (SAI) Inlet P 16 bar
2	0	Manual drain (SM) Inlet P 30 bar
2	1	Plug Inlet P 50 bar

Filtering capacity

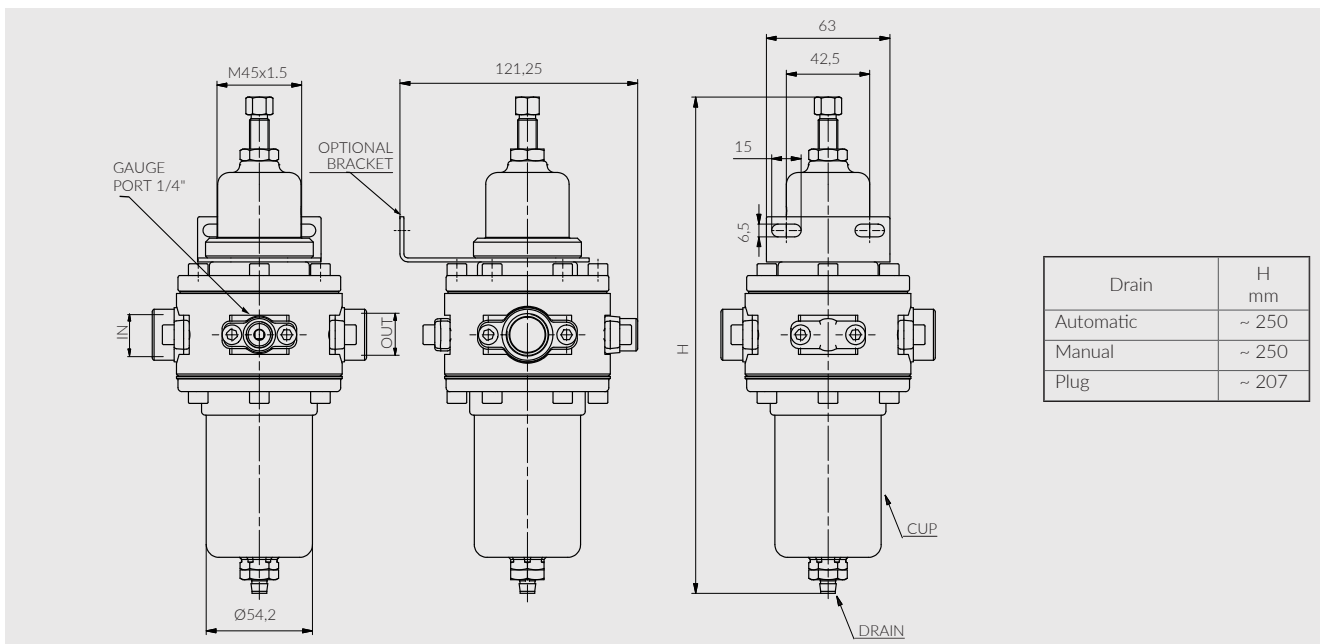
H	50 µm
C	5 µm

standard versions

versions available on request

DIMENSIONS:

version with connections 3/8" ÷ 1/2"



For other versions, please contact ODE Sales Office