



# Filter pressure reducer II° stage

FR2D

## PRESENTATION:

Aluminum filter pressure reducer suitable for the use with compressed air.

In the standard version the product is designed to operate with pressures up to 30 bar.

The control of the outlet pressure is realized by means of a piston.

The connections are made by flanges screwed to the body.

Available with automatic condensate drain, semiautomatic, manual or with plug.

USE: Compressed air

CONNECTIONS: 3/4" ÷ 1 1/2"  
(DIN and ANSI flanged connections available on request)

## FILTER PRESSURE REDUCER FEATURES:

Inlet pressure	up to 30 bar
Outlet pressure	0,2 ÷ 15 bar
Filtering capacity	5 - 50 µm
Cup capacity	500 cc
Kv nominal	8,4 m <sup>3</sup> /h (UNI 60534-2)
Operating temperature	- 20°C + 60°C
Shutter leakage class	class A (EN 12266-1)
Weight	~3,6 Kg

The product is compliant with PED Directive 2014/68/UE

## MATERIALS:

Body, cup and bonnet	Aluminum
Internal parts	Aluminum   Brass
Filter cartridges	Sintered bronze
Shutter spring	AISI 302
Adjusting spring (not in contact with the fluid)	C85
O-Ring and shutter gasket	NBR
Piston	Aluminum

## MAINTENANCE KIT:

KFR2D repair kit available on request.

Kit contains: shutter assembly, O-ring and filter cartridge.



## Note

Chemical compatibility fluids/materials, has to be verified at RFQ stage with ODE sales dept.

"ODE" reserves the right to carry out technical and aesthetic modifications without prior notice.

**F R 2 D # N N N N N N N N N N N N N N N N**

Model

**Connections**

Q	0	G 3/4 - F
R	0	G 1 - F
J	0	G 1 1/4 - F
S	0	G 1 1/2 - F
X	0	3/4 NPT - F
Y	0	1 NPT - F
B	0	1 1/4 NPT - F
Z	0	1 1/2 NPT - F
1	Z	SO ANSI 150 RF 1"
2	S	SO ANSI 300 RF 1"
1	5	SO ANSI 600 RF 1/2"
4	I	SO ANSI 600 RF 1 1/2"
5	W	SO ANSI 1500 1"
0	R	EN 1092-1/01B/DN20/PN40
0	S	EN 1092-1/01B/DN25/PN40
1	M	EN 1092-1/01B/DN25/PN63

**Inlet pressure**

D	0	30 bar
H	1	16 bar

**Outlet pressure**

A	0	0,2 ÷ 1,5 bar
B	0	0,3 ÷ 3 bar
D	0	0,8 ÷ 8 bar
E	0	1,5 ÷ 15 bar

**Accessories**

0	0	-
0	4	Fixed calibration
0	5	Precalibrated
0	6	With pressure gauge
0	8	Degreased use O <sub>2</sub>
1	6	O-Ring FDA compliance

**Certifications**

R	0	CE
U	0	CE+Atex 2014/34/UE <sup>(1)</sup>
Y	0	CE+EAC TR CU 032/2013 <sup>(1)</sup>
V	0	CE+EAC TR CU 012/2011 <sup>(1)</sup>

<sup>(1)</sup> version certifiable on request

**Cup + drain**

1	8	Semiautomatic drain (SS) Inlet P 16 bar
1	9	Internal Automatic drain (SAI) Inlet P 16 bar
2	0	Manual drain (SM) Inlet P 30 bar
2	1	Plug Inlet P 30 bar

**Filtering capacity**

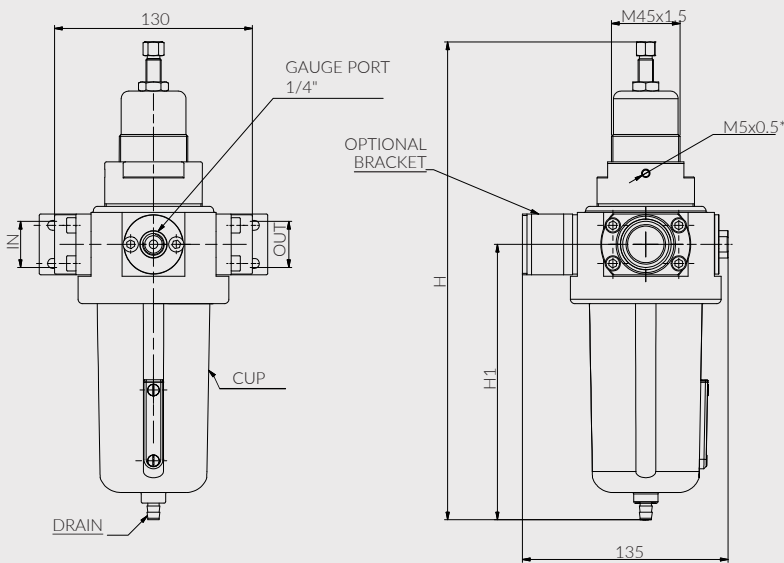
H	50 µm
C	5 µm

**standard versions**

versions available on request

**DIMENSIONS:**

version with connections 3/4" ÷ 1"



Drain	H mm	H1 mm
Automatic	~ 316	~ 181
Semiautomatic	~ 314	~ 179
Manual	~ 310	~ 175
Plug	~ 310	~ 175

\*WHEN REQUIRED | FREE ORIENTATION

For other versions, please contact ODE Sales Office