



Flow meter

AB32

MATERIALS:

Flow meter body	PBT 30%GF
Connector	3.96mm with 3 Pin
Seal	Silicon
Turner	PP
Magnet	SrFeO

TECHNICAL SPECIFICATION:

Electrical connection

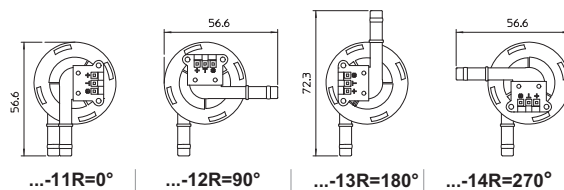
Supply voltage	3.8 - 20VDC
Consumption	5mA max.
Signal voltage	Taken from Ground
Leakage current	10 µA max
Signal load	20 mA max
Signal	Square wave
Duty cycle	50%

Operating conditions

Flow rate	0.033-1,5 liters/min (depending on nozzle size)
Measuring accuracy	± 6% (Reference value valid for ideal testing conditions only)
Operating fluid	Water
Operating temperature	-10°C to 65°C
Operating pressure	-1 to 0.3 bar
Mounting	Horizontal position
Connector	Ø 6 mm inlet / outlet
Nozzle size	Ø 1; 1,2; 1,8; 2; 3 mm



CONNECTIONS ORIENTATION:

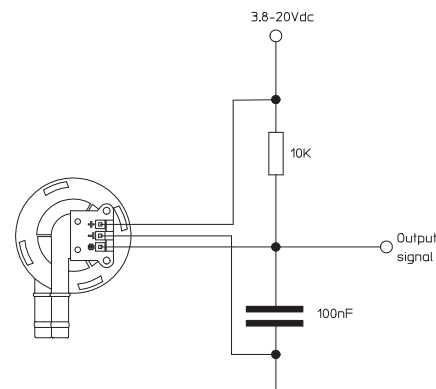
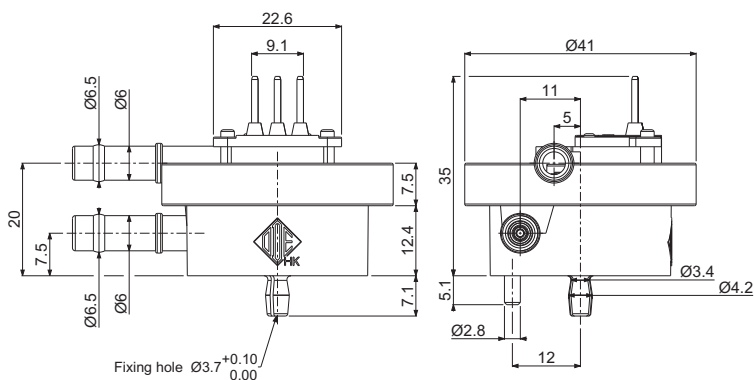


Code	Nozzle (mm)	Pulses/litre	g/pulse	Min. flow rate at linear start (litres/min)	Max. flow rate (litres/min)	Pressure drop (bar)
AB32-S21PO10C-11R	Ø 1	2382	0,4197	0,0333	0,4023	0,48
AB32-S21PO12C-11R	Ø 1,2	1925	0,5194	0,0750	0,5692	0,42
AB32-S21PO18C-11R	Ø 1,8	1315	0,7601	0,0753	0,8994	0,25
AB32-S21PO20C-11R	Ø 2	1250	0,8001	0,1121	0,9068	0,21
AB32-S21PO30C-11R	Ø 3	800	1,2500	0,1855	1,520	0,15

Note:

The values indicated is approximate values, which may depend on the differences of medium and installation of the product | Calibration of number of pulse/litre is recommended for different installations.

DIMENSIONS:



ODE S.r.l. is the official distributor of the products marked *ODE_{HK}.
ODE_{HK} reserves the right to carry out technical and aesthetical modifications without prior notice.
For any request for Product certificate, please contact ODE S.r.l. Sales Office.