



Solenoid valve 2/2 way N.C. Combined operation

5924K4U90-P1

PRESENTATION:

Combined operation S.V. for interception of fluids compatible with the construction materials.
Minimum operational pressure is not required.
The materials used and the tests carried out ensure maximum reliability and duration.

USE: Textile machines

PIPES: G 3/8 Female

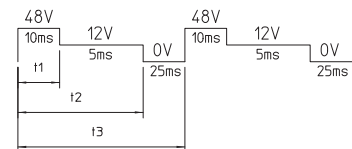
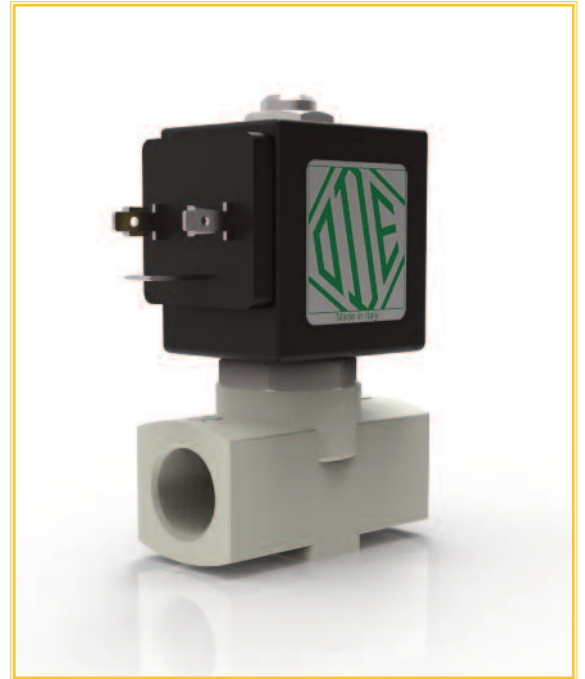
COIL: BDA68048CS 155°C (class F)
4,2W@12V

COIL HOUSING AND COIL FORMER MATERIAL ARE MADE BY 100% VIRGIN MATERIAL.

Max. allowable pressure (PS) 16 bar

Ambient temperature:

See coils catalogue page for its compatibility.



Power factor: see the diagram above

t1= Full power
t2= Holding time
t3= Cycle time

Gaskets	Temperature		Medium
	+ 5°C	+40°C	
PUR=Poliuretano			Air

Pipe ISO 228/1	Code	Ø mm	Pressure		
			min	M.O.P.D.	
			bar	AC bar	DC bar
G 3/8 female	5924K4U90-P1	9	0	-	6

Note

Available on request and with minimum quantities.

The "ODE" reserves the right to carry out technical and aesthetic modifications without prior notice.

MATERIALS:

Body	PA6
Armature tube	Stainless steel AISI series 300
Fixed core	Stainless steel AISI series 400
Plunger	Stainless steel AISI seriea 400
Spring	Stainless steel AISI series 300
Ring guide	POM
Shock-absorbing	PUR=Polyurethane
Main seal	PUR=Polyurethane
Orifice	PA6

On request:

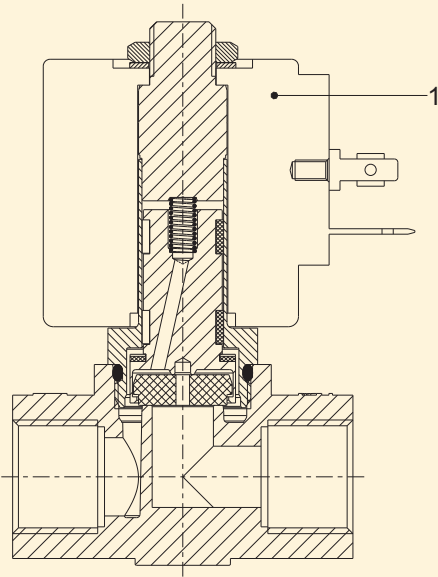
Connector	Pg 9 o Pg 11
Connector conformity	ISO 4400

FEATURES:

Electrical conformity	IEC 335
Protection degree	IP 67 EN 60529 (DIN 40050) with coil fitted by connector dedicated.

SPARE PARTS:

- Coil:**
BDA68048CS



DIMENSIONS:

