



# Solenoid valve 2/2 way N.C. With pilot control Explosion proof - Atex Ex d

21X2KIV120  
÷  
21X4KIV250

## PRESENTATION:

S.V. with pilot control for interception of fluids compatible with the construction materials. Aluminium coil housing, explosion proof "Ex d" . Electrical and electromechanical components according to Atex Directive 2014/34/EU.

A minimum operational pressure of 0,1 bar is required. The materials used and the tests carried out ensure maximum reliability and duration.

**USE:** Potentially explosive atmospheres  
Zone 1, 2, 21, 22

**PIPES:** G 1/2 - G 1

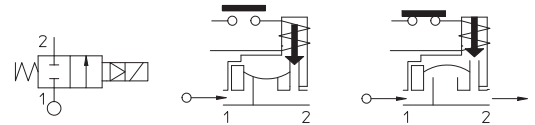
**COIL:** 8W - Ø 13  
BDV 180°C (class H)

Max. allowable pressure (PS) 25 bar  
Housing ambient temperature - 40°C + 60°C



Gaskets	Temperature		Medium
	-	+	
V=FKM (fluoroelastomer)	- 10°C	+ 80°C	Demineralized water, chemical products compatible with stainless steel
F=H-NBR (hydrogenated nitrile)	- 30°C	+ 80°C	Air, inert gas, water R 134a, R 404a

For seals other than FKM replace the letter "V" with the ones corresponding to the other seals. E.I. 21X2KIF120.



Pipe ISO 228/1	Code	Max viscosity		Ø mm	Kv l/mn	Power watt	Pressure			
		cSt	°E				min bar	M.O.P.D.		
								AC bar	DC bar	
G 1/2	21X2KIV120	12	~ 2	12	35	8	0,1	20	20	
G 3/4	21X3KIV190			19						130
G 1	21X4KIV250			25						160

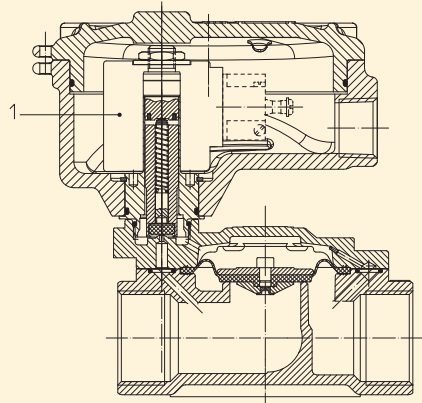
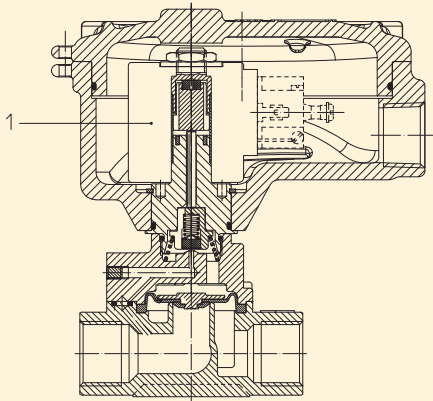


(According to Directive 2014/34/EU ATEX )  
II 2G Ex d IIC T6 or T5 Gb  
II 2D Ex tb IIIC T80°C or T95°C Db IP67

## Note

Available on request and with minimum quantities.

The "ODE" reserves the right to carry out technical and aesthetic modifications without prior notice..



**MATERIALS:**

**Body** Stainless steel AISI 316  
**Armature Tube** Stainless steel AISI series 300  
**Fixed core** Stainless steel AISI series 400  
**Plunger** Stainless steel AISI series 400  
**Phase displacement ring** Gold plated copper  
**Spring** Stainless steel AISI series 300  
**Seal** Standard: V=FKM  
 On request: F=H-NBR  
**Orifice** Stainless steel AISI 316  
**Coil housing:** Die cast and passivated Aluminium

**Connector conformity** ISO 4400

**FEATURES:**

**Electrical conformity** IEC 335  
**Protection degree** IP 67 EN 60529 (DIN 40050)  
 if installed with cable gland Atex Ex d IP67 or higher.

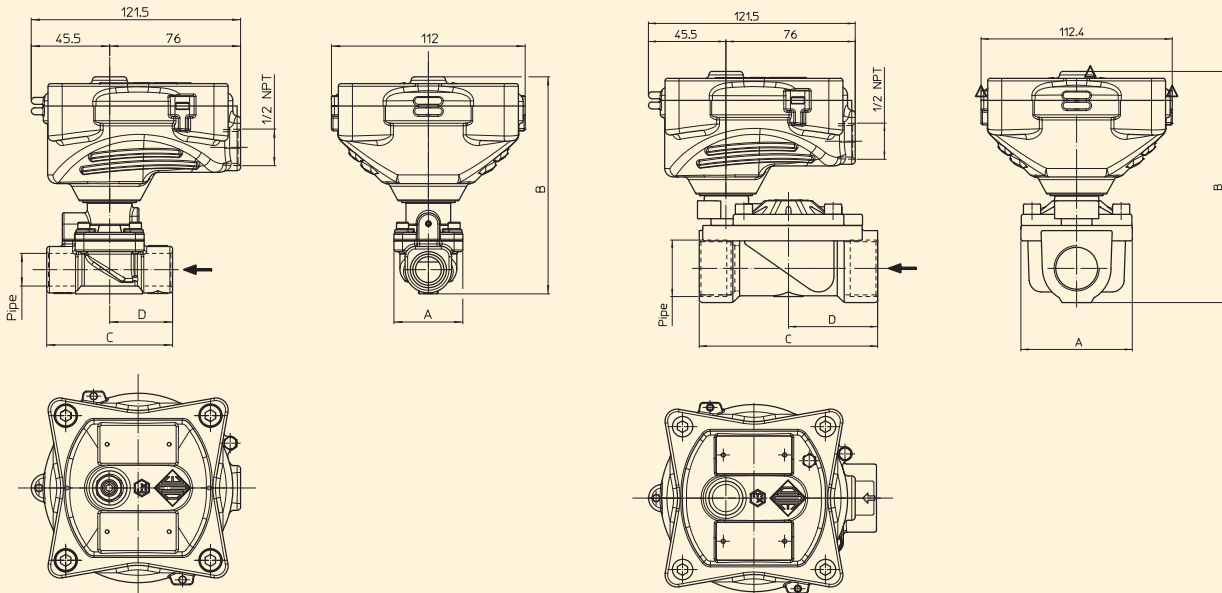
**SPARE PARTS:**

**1. Coil:**  
 See coils list for Solenoid valves explosion proof Atex - Ex d

**ACCESSORIES:**

Code P992219 Cable Gland (to be ordered separately)

**DIMENSIONS:**



Type	Pipe ISO 228/1	A mm	B mm	C mm	D mm
21X2KIV120	G 1/2	40	120	73	36,5
21X3KIV190	G 3/4	65	136	104	88,5
21X4KIV250	G 1				

COIL TYPE	POWER ABSORPTION		
	W	Hold VA ~	Inrush VA ~
B	8	14,5	25