

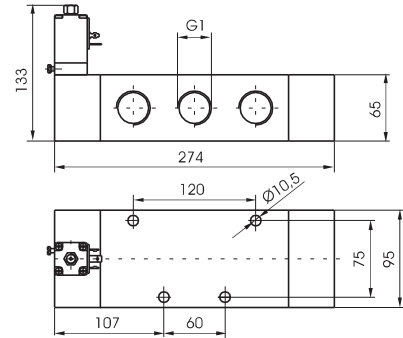
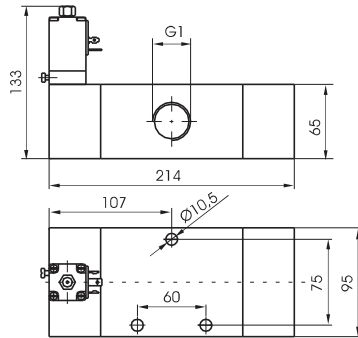
Solenoid - Spring

3/2

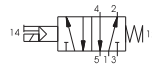
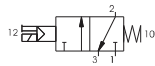
Ordering code

411.T.0.1.S

- T** TYPE
32 = 3 ways
52 = 5 ways
- S** SOLENOID CODE
S = See Solenoid valves "S" type, Series 300



Weight gr. 3400
Minimum working pressure 2,5 bar



Weight gr. 4300
Minimum working pressure 2,5 bar

Operational characteristic

Operational characteristic	Fluid	Max working pressure (bar)	Temperature °C		Flow rate at 6 bar with Δp=1 (NI/min)	Orifice size (mm)	Working ports size
	Filtered and lubricated air	10 bar	Min. -5°C	Max. +50°C	6500 NI/min	mm 20	G 1"

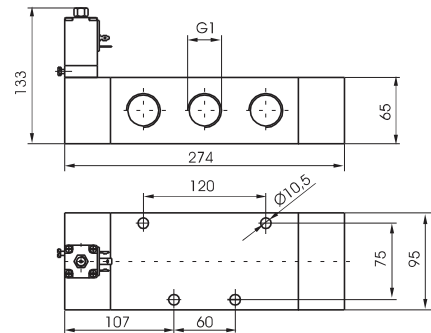
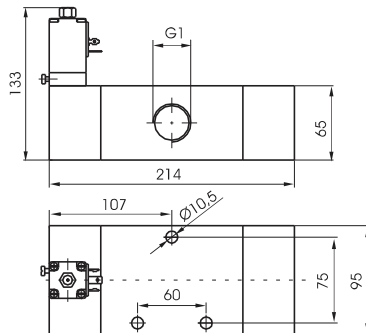
Solenoid - Differential

3/2

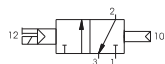
Ordering code

411.T.0.12.S

- T** TYPE
32 = 3 ways
52 = 5 ways
- S** SOLENOID CODE
S = See Solenoid valves "S" type, Series 300



Weight gr. 3400
Minimum working pressure 2,5 bar



Weight gr. 4300
Minimum working pressure 2,5 bar

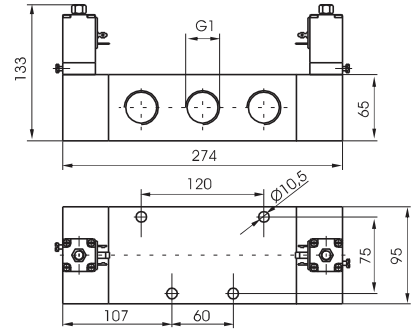
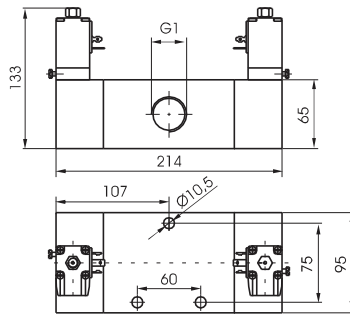
Operational characteristic

Operational characteristic	Fluid	Max working pressure (bar)	Temperature °C		Flow rate at 6 bar with Δp=1 (NI/min)	Orifice size (mm)	Working ports size
	Filtered and lubricated air	10 bar	Min. -5°C	Max. +50°C	6500 NI/min	mm 20	G 1"

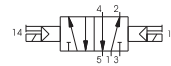
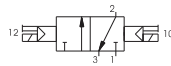
3/2

Solenoid - Solenoid

Ordering code	411.1.0.0.S
TYPE	32 = 3 ways 52 = 5 ways
SOLENOID CODE	S = See Solenoid valves "S" type, Series 300



Weight gr. 3700
Minimum working pressure 2 bar



Weight gr. 4600
Minimum working pressure 2 bar

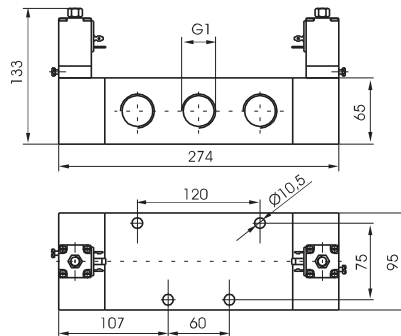
Operational characteristic	Fluid	Max working pressure (bar)	Temperature °C		Flow rate at 6 bar with Δp=1 (NI/min)	Orifice size (mm)	Working ports size
		Filtered and lubricated air	10 bar	Min. -5°C	Max. +50°C	6500 NI/min	mm 20

2

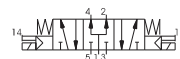
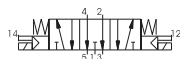
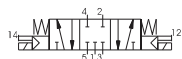
Solenoid - Solenoid

5/3

Ordering code	411.53.F.0.0.S
FUNCTION	31 = Closed centres 32 = Open centres 33 = Pressured centres
SOLENOID CODE	S = See Solenoid valves "S" type, Series 300



Weight gr. 4700
Minimum working pressure 3 bar



Operational characteristic	Fluid	Max working pressure (bar)	Temperature °C		Flow rate at 6 bar with Δp=1 (NI/min)	Orifice size (mm)	Working ports size
		Filtered and lubricated air	10 bar	Min. -5°C	Max. +50°C	6500 NI/min	mm 20